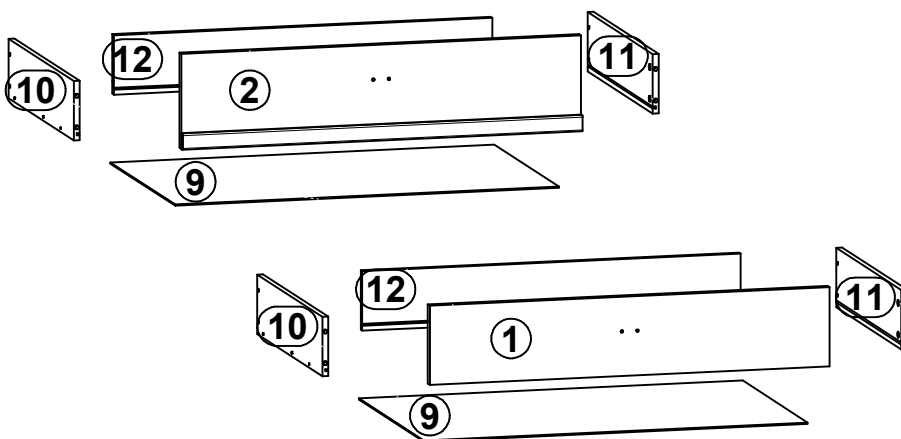
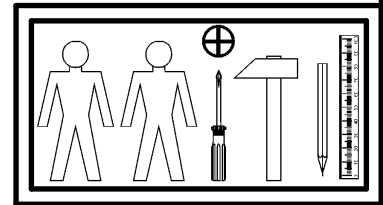
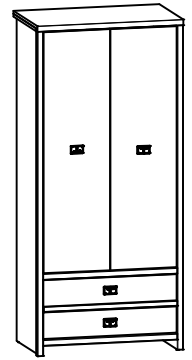
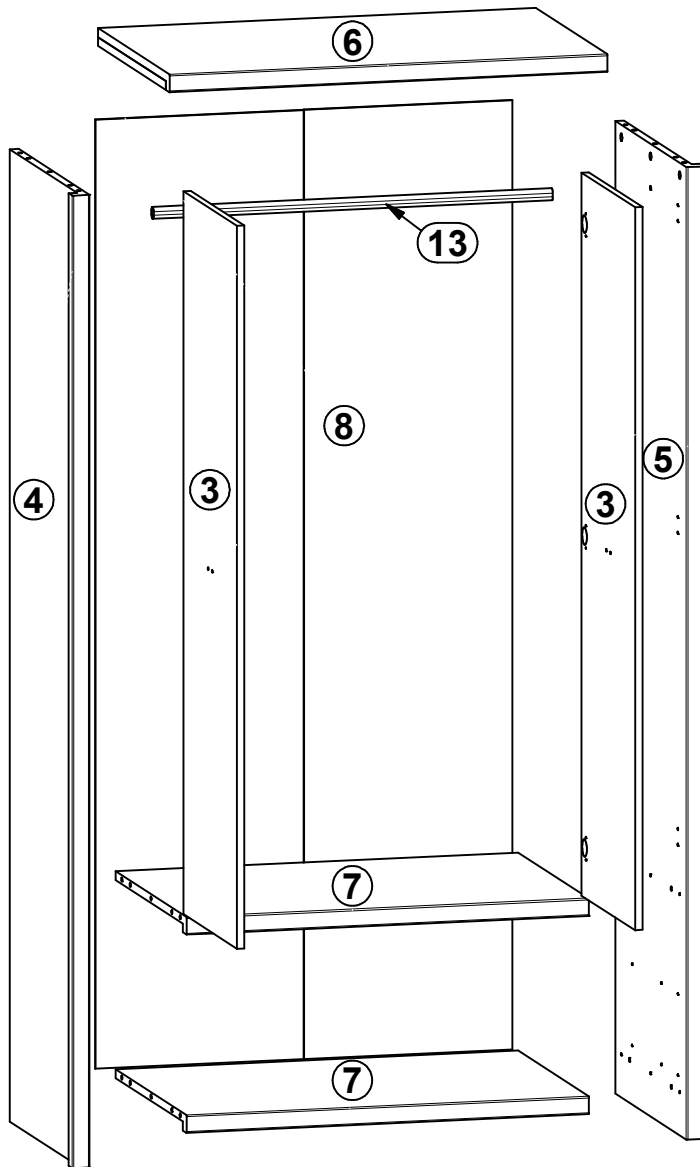


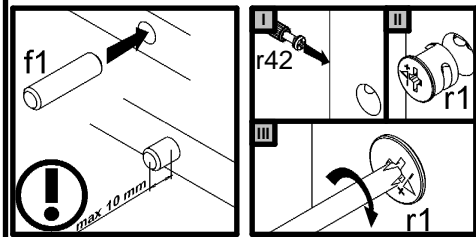
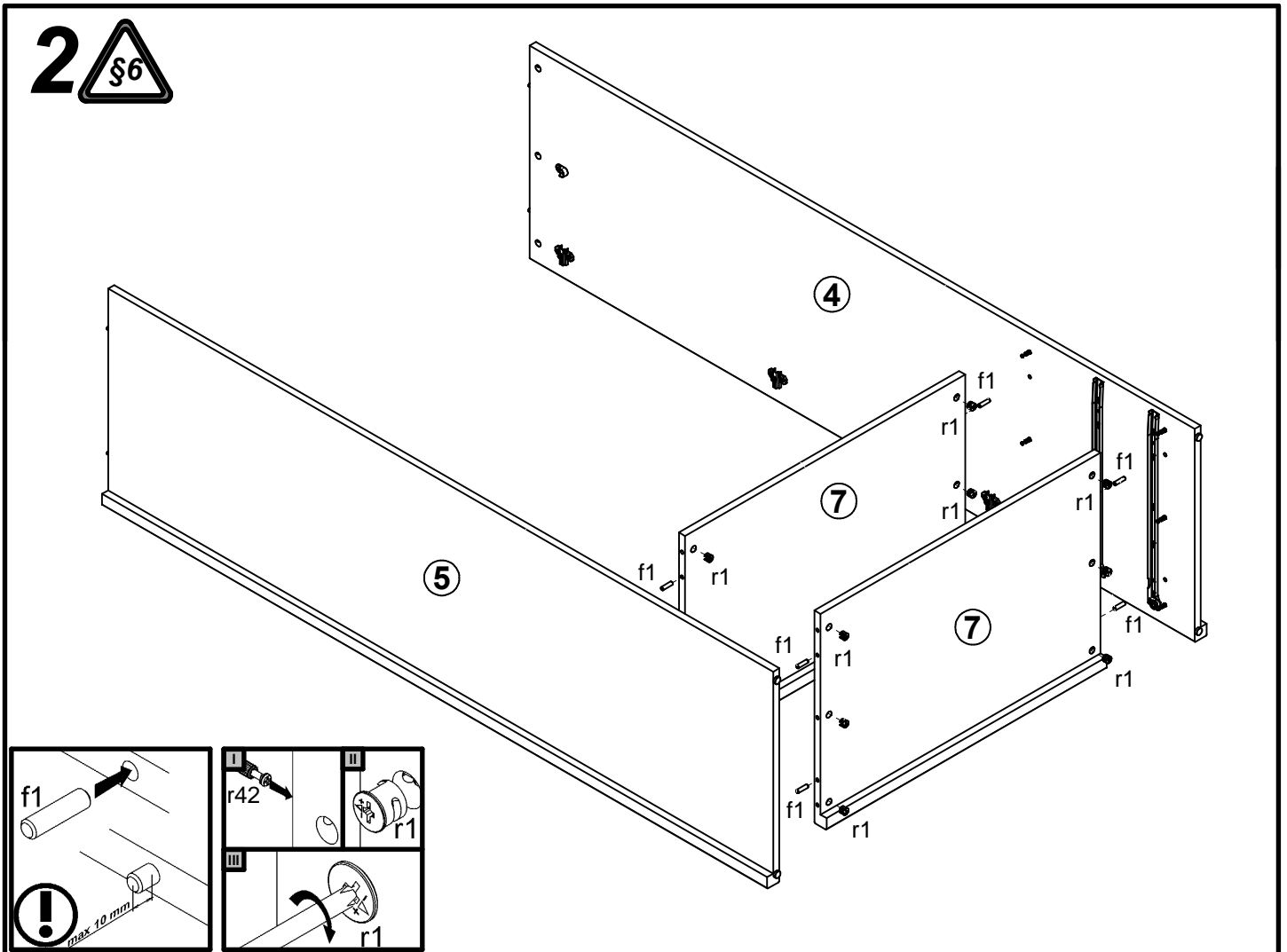
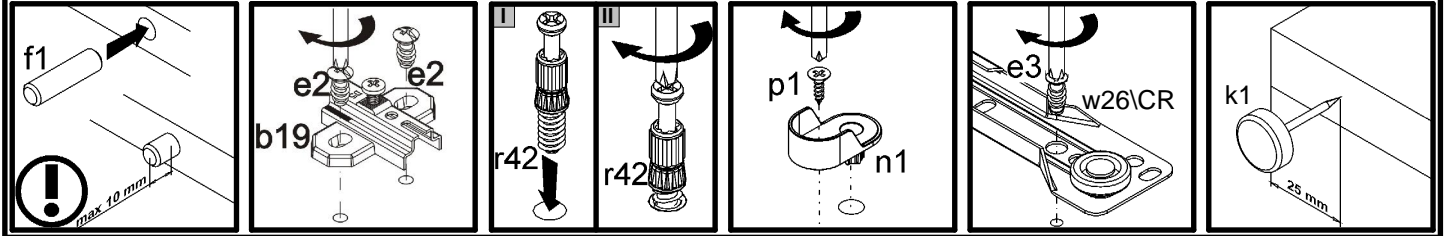
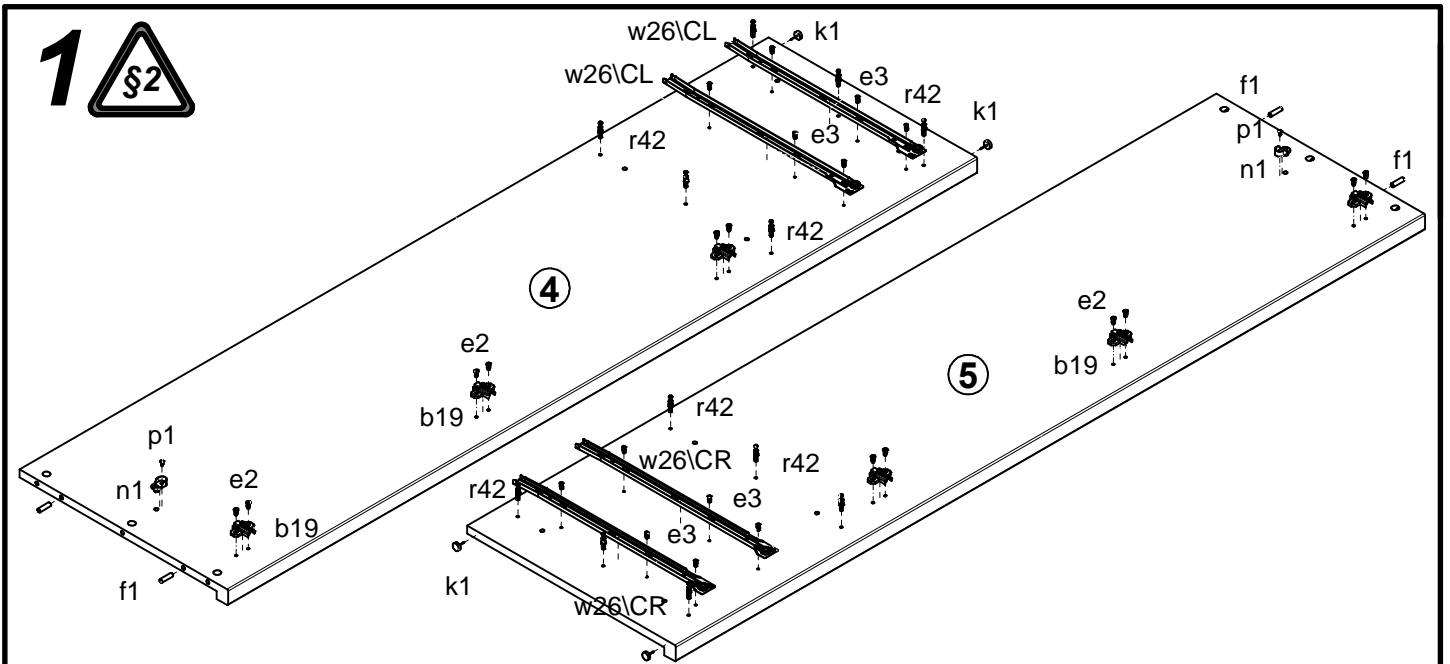
KASPIAN CLASSIC

S158-SZF2D2S

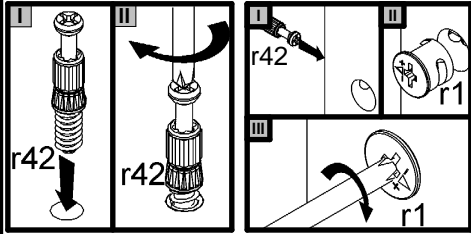
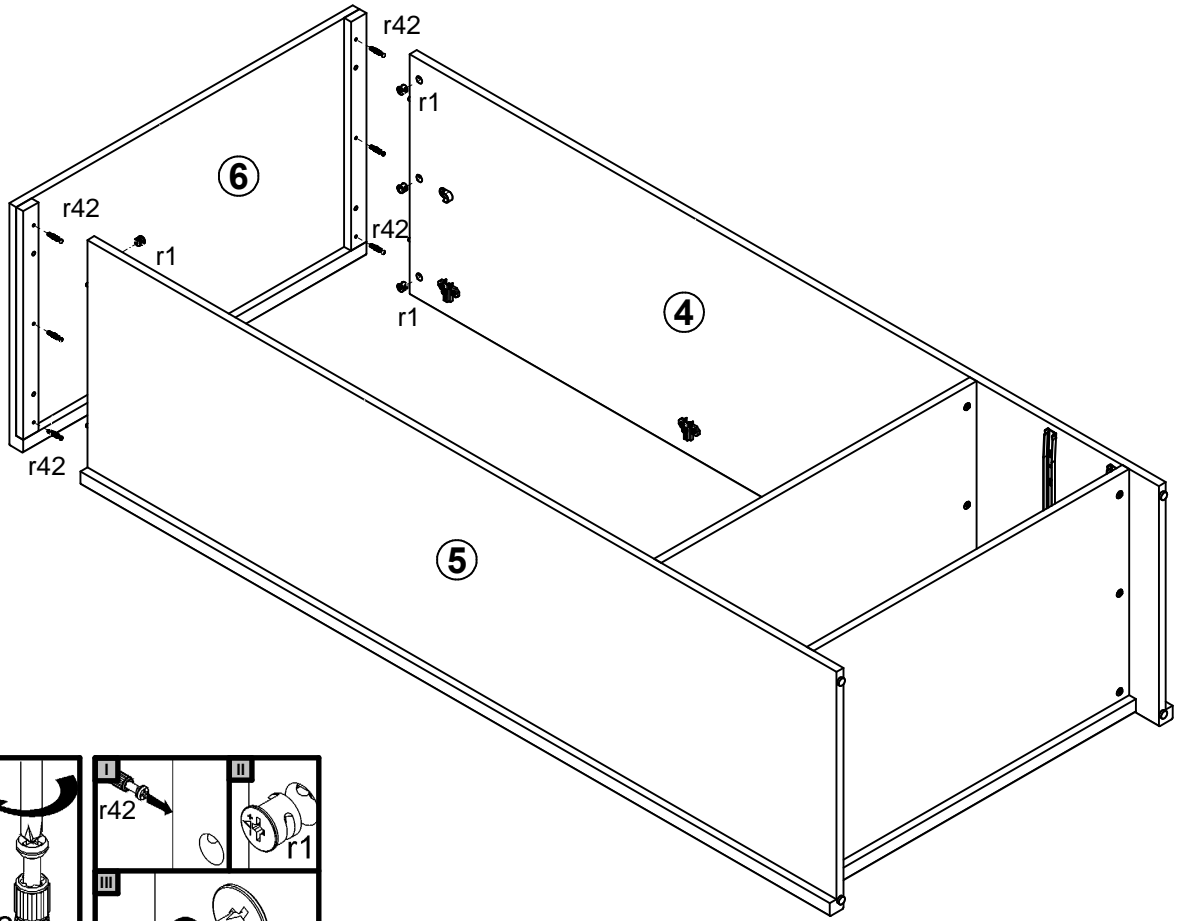


A	B	C	D	
1	S158-001	822	160	3/4
2	S158-002	822	192	3/4
3	S158-006	1460	410	4/4
4	S158-108	1964	547	1/4
5	S158-109	1964	547	1/4
6	S158-204	900	550	2/4
7	S158-304	827	544	2/4
8	S158-905	1917	857	1/4
9	S158-907	789	498	2/4
10	ZS2-509	500	120	2/4
11	ZS2-510	500	120	2/4
12	ZS2-5513	778	120	2/4
13	dr-821	821	22	2/4

6x K16 a43	6x b19	4x c239\2	12x e19 φ5x9 mm	12x e2 φ6,3x13 mm	12x e3 φ6x13 mm	12x f1 φ8x30 mm	8x f25 φ6,5x40 mm	8x j1 M4x20 mm
4x k1	70x l1	2x n1	2x p1 φ3,5x13 mm	4x p25 φ3,5x16 mm	12x p51 φ3,5x15 mm	18x r1 φ1,5x12mm #16	8x r15 φ1,2x10,5mm #12	26x r42
2x t17 483 mm	2x w26\CL 500 mm	2x w26\CR 500 mm	2x w26\DL 500 mm	2x w26\DR 500 mm	6x s2 ø16	1x n26\1	1x p38 φ3,5x16 mm	1x n25 40x46x30\1,5mm
2x p27 φ3,5x13 mm								



3



4

